

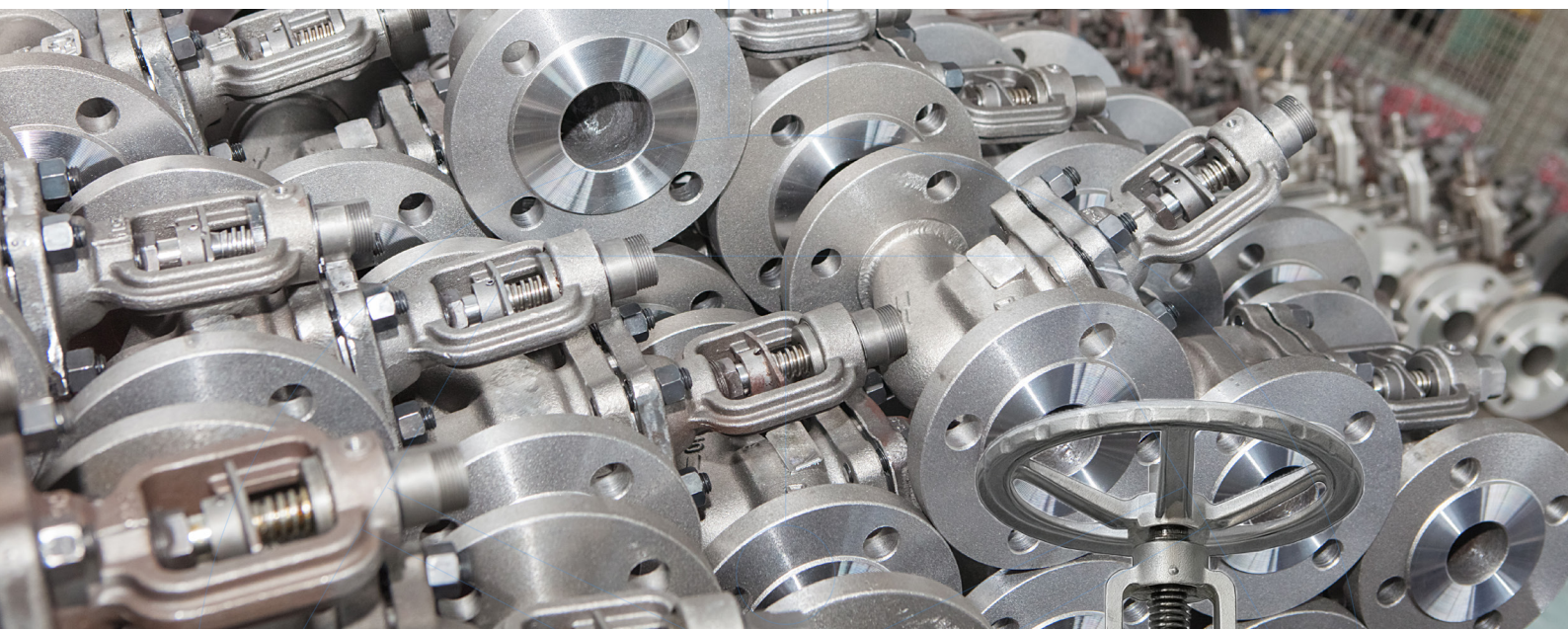


DAVINCI TECHNICAL DATA GUIDE

GLOBE VALVE

FLANGED TYPE

Ref. 141A-BIJ / PN 10-16



Application

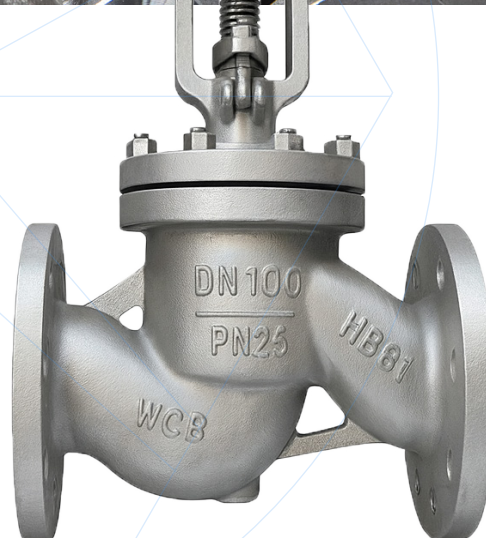
Chemical and industrial plants
Heating and air conditioning (HVAC)
Agricultural applications
District heating
Oils and hydrocarbons

Approvals/Standards

Comply with EN 12516.
Mounting with flanges: PN10/16/25/40 EN 1092-2, ISO 7005-2.
Face to face distance: EN 558-1 series 1.
Pressure Tests acc. to EN 12266-1 Rate A.
Pressure Tests: Body: 1,5 x PN, seat: 1,1 x PN.

Range

DN40-250, PN10-16





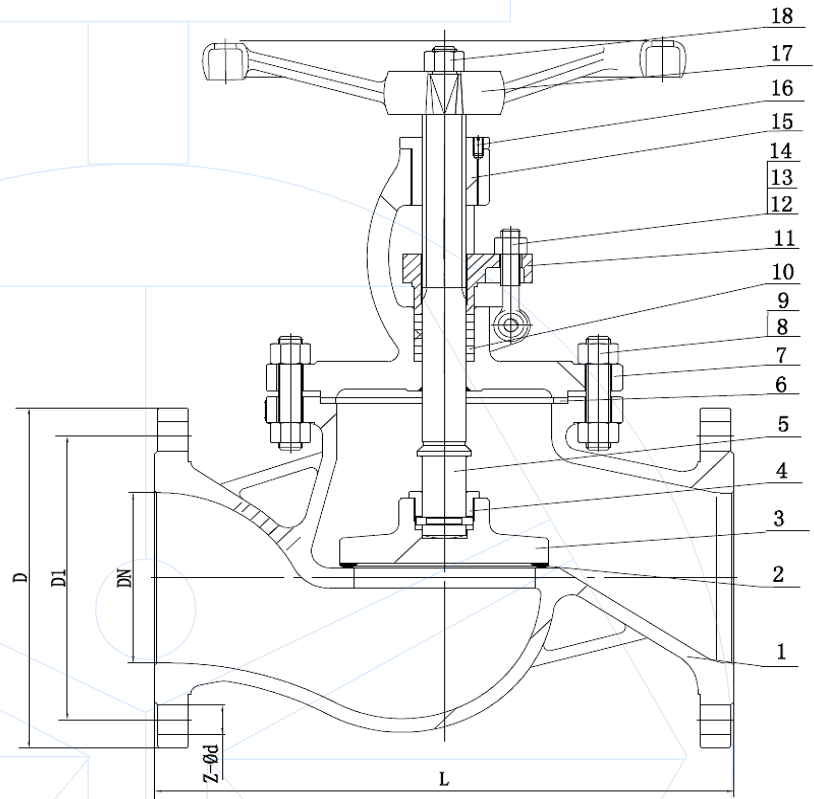
GENERAL CHARACTERISTICS

Sizes DN40 to DN250.
Working pressure PN10/16.
Fully stainless steel body.
Low torque values.

WORKING CONDITIONS

Pressure ratings: 1.0, 1.6 Mpa.
Working temperature: -10°C + 120°C
Suitable media: Water, air.

Nº	ITEM	MATERIAL
1	BODY	QT450-10
2	Sealing surface	Brass
3	Disc	QT450-10
4	Disc cover	Carbon steel
5	Stem	2Cr13
6	Bonnet gasket	Flexible graphite clip 304 steel sheet
7	Bonnet	QT450-10
8	Double head stud	45
9	Hexagon nut	35
10	Packing	Flexible graphite
11	Packing gland	QT450-10
12	Cylindrical pin	45
13	Live bolt	45
14	Hexagon nut	35
15	Stem nut	ZCuA110Fe3
16	Set screw	35CrMoA
17	Hand wheel	KTH330-8
18	Hexagon nut	45



Components may be replaced with materials of equivalent or superior grade without prior notice, in accordance with our continuous improvement policy.

DN	L	D	D1	Z-D
40	200	150	110	4-18
50	230	165	125	4-18
65	290	185	145	4-18
80	310	200	160	8-18
100	350	220	180	8-18
125	400	250	210	8-18
150	480	285	240	8-22
200	600	340	295	12-22
250	650	405	355	12-26



CONTACT US

DAVINCI GATE VALVES ORDER REQUEST

Ref. 141A-BIJ / PN 10-16



Head Office CHENGDU

Room 3109 Unit 1 Building 2,
No. 68 Dongda Street
Jinjiang District, Chengdu, Sichuan
CHINA

+86 17340168233 +86 19302892712
valves@davincivalves.com

Europe Office MADRID
SPAIN
zuzana@davincivalves.com

WEBSITE

davincivalves.com

YOUR QUALITY WATER PROJECTS PARTNER
For professionals who look for more.