



DAVINCI TECHNICAL DATA GUIDE

SWING CHECK VALVE

45° FLANGED ENDS

Ref. 162A-VI / PN 10-16



Application

General water supply.
Firefighting.
HVAC and sewage installations.

Approvals/Standards

Design: BS5153
Manufacture according to: EN 1074-3.
Face to Face: EN 558-1 Series 48 (F6)
Mounting between flanges: PN10/16 EN 1092-2, ISO 7005-2.
Pressure Tests acc. to EN 12266-1 Rate A. GB/T13927-1992
Pressure Tests: Body: 1,5 x PN. Seat: 1,1 x PN
EU directive 2014/68/EU:
Products excluded, article 1, § 2b up to DN300.

Certifications

CE, WRAS

Range

DN50-600, PN10-16



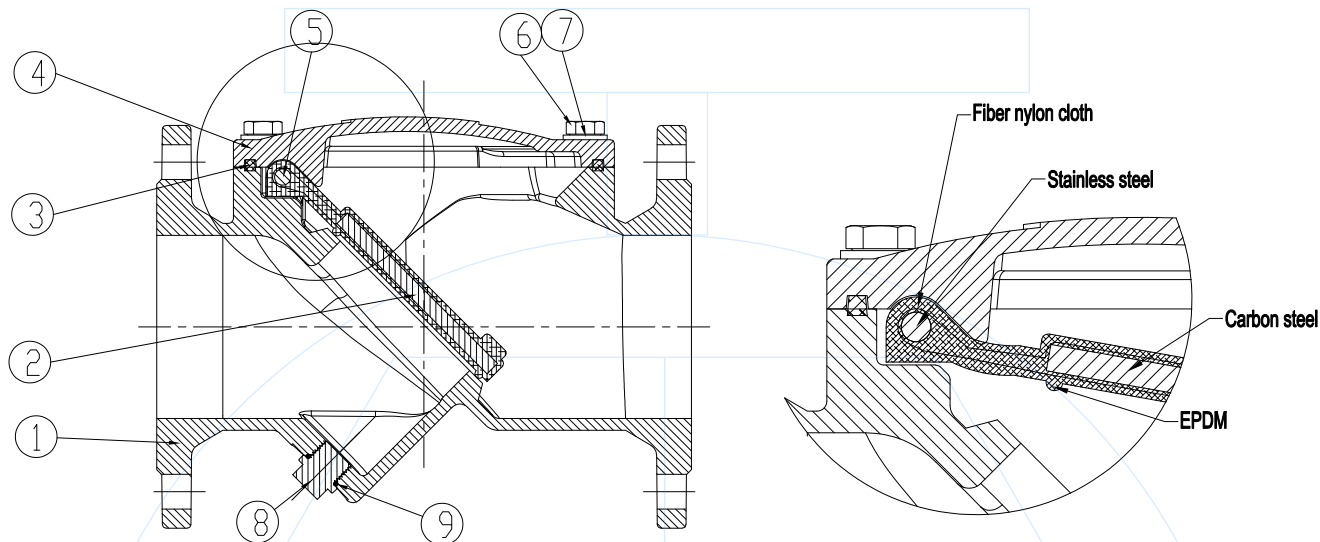


GENERAL CHARACTERISTICS

Sizes DN50 to DN600.
Working pressure PN10/16.
Low head loss and low noise.
WRAS epoxy paint 250 microns.

WORKING CONDITIONS

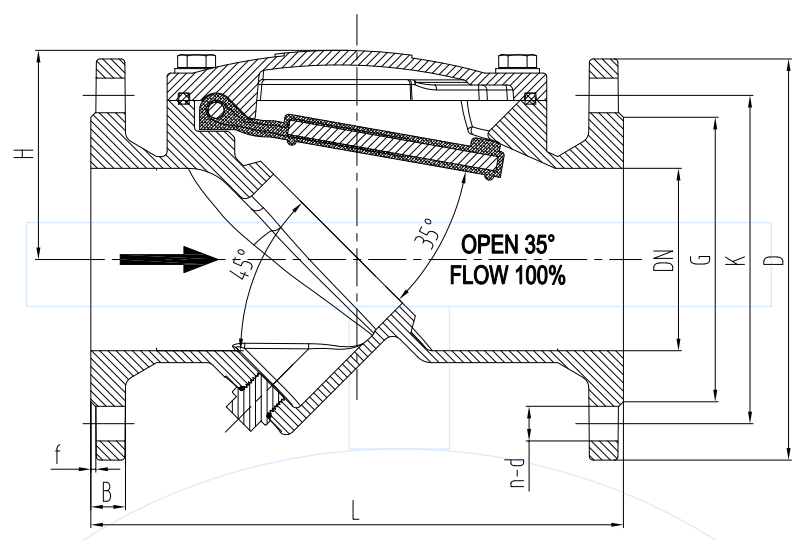
Pressure ratings: 1.0 Mpa, 1.6 Mpa.
Working temperature: -10°C + 90°C



Components may be replaced with materials of equivalent or superior grade without prior notice, in accordance with our continuous improvement policy.

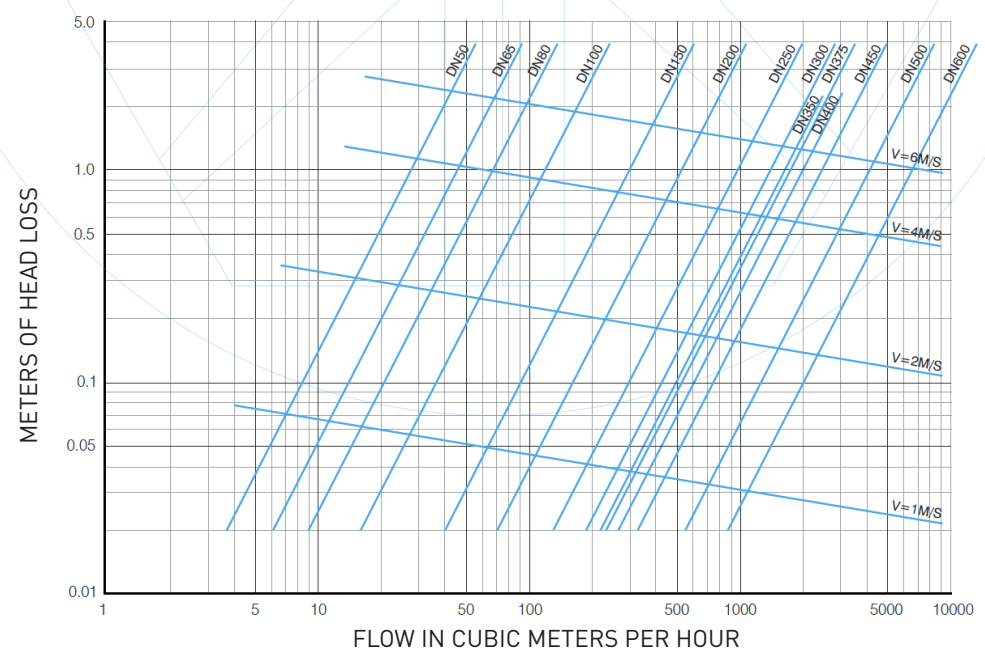
Nº	ITEM	MATERIAL
1	Body	GJS500-7
2	Disc	WCB+EPDM
3	Bonnet gasket	NBR
4	Bonnet	GJS500-7
5	Shaft pin	AISI 420
6	Bolt	A2-70
7	Flat washer	A2-70
8	Plug	A2-70
9	O-ring	NBR
	RAL 5015 Painting	Epoxy 250 µm





DN	L		H	B	F	D		K		G		n-Ød		Weight (kg)
	BS5153	F6				PN10	PN16	PN10	PN16	PN10	PN16	PN10	PN16	
50	203	200	95	19	3	165		125		99		4-19		7.8
65	216	240	100	19	3	185		145		118		4-19		10.2
80	241	260	105	19	3	200		160		132		8-19		12.7
100	292	300	115	19	3	220		180		156		8-19		18.6
125	330	350	145	19	3	250		210		184		8-19		26.5
150	356	400	155	19	3	285		240		211		8-23		32.0
200	495	500	250	20	3	340		295		266		8-23	12-23	65.0
250	622	600	300	22	3	395	405	350	355	319		12-23	12-28	105.0
300	698	700	330	24.5	4	445	460	400	410	370		12-23	12-28	160.0
350	787	---	340	26.5	4	505	520	460	470	429		16-23	16-28	240.0
400	914	---	360	28	4	565	580	515	525	480		16-28	16-31	325.0
450	965	---	380	30	4	615	640	565	585	530	548	20-28	20-31	430.0
500	1065	---	415	31.5	4	670	715	620	650	582	609	20-28	20-34	554.0
600	1219	---	470	36	5	780	840	725	770	682	720	20-31	20-37	810.0

HEAD LOSS





CONTACT US

DAVINCI VALVES ORDER REQUEST



Head Office CHENGDU

Room 3208 Unit 1 Building 1,
No. 6 Zhiquan Section, Dongda Street
Jinjiang District, Chengdu, Sichuan
CHINA

+86 17340168233 +86 19302892712
valves@davincivalves.com

Europe Office MADRID
SPAIN
zuzana@davincivalves.com

WEBSITE

davincivalves.com

YOUR QUALITY WATER PROJECTS PARTNER
For professionals who look for more.