



DAVINCI TECHNICAL DATA GUIDE

WATERMETERS

WOLTMANN - HORIZONTAL AXIS

Ref. 254A-DHS / PN 10-16



Application

Waterworks
Irrigation systems
Municipal water distribution networks
Industrial process piping
Fire protection systems

Approvals/Standards

Mounting between flanges: PN10/16 EN 1092-2, ISO 7005-2.
Pressure Tests acc. to EN 12266-1
Pressure Tests: Body: 1,5 x PN.

Certifications

WRAS

Range

DN40-600, PN10-16

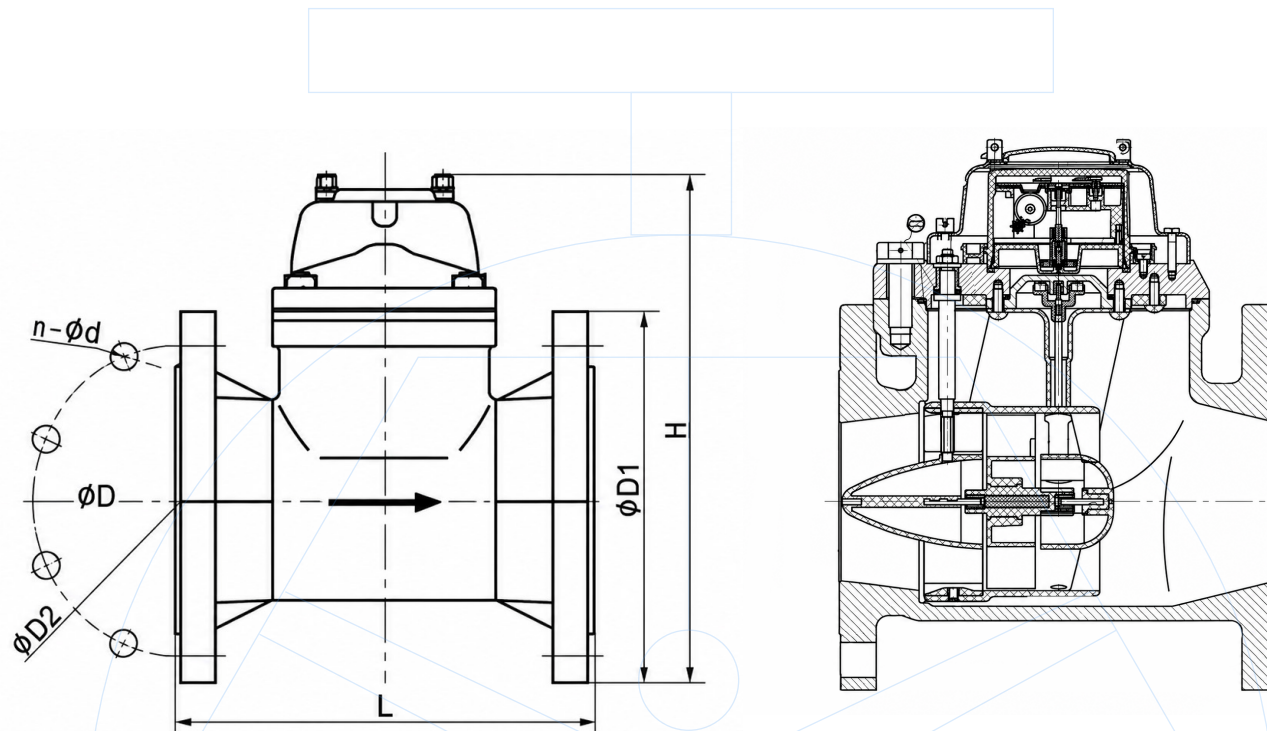


GENERAL CHARACTERISTICS

Sizes DN50 to DN400.
 Dry dial, magnetic drive transmission structure.
 Large flow capacity, wide range, small pressure loss and stable performance curve.
 Removable mechanism and strong universality, easy installation and maintenance.

WORKING CONDITIONS

Pressure ratings: Up to 2.5Mpa
 Working temperature: -10°C + 90°C.

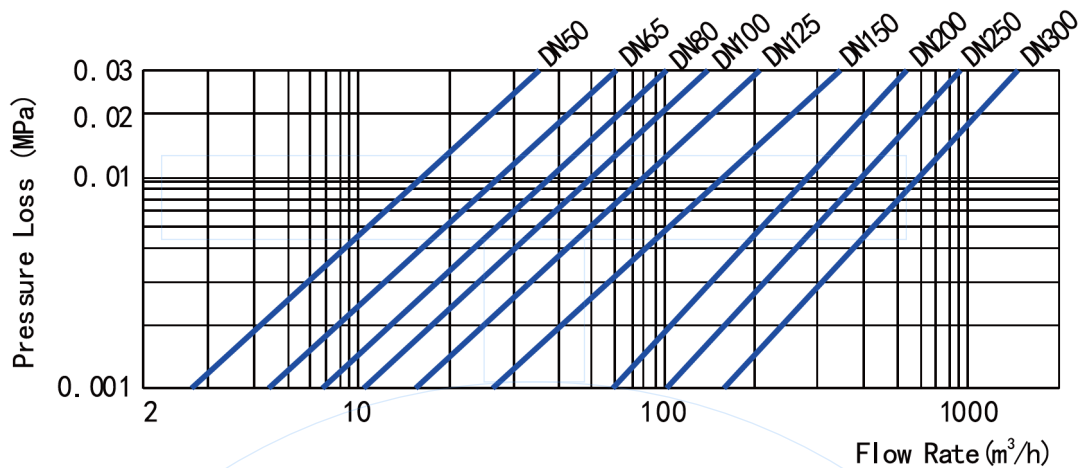


Components may be replaced with materials of equivalent or superior grade without prior notice, in accordance with our continuous improvement policy.

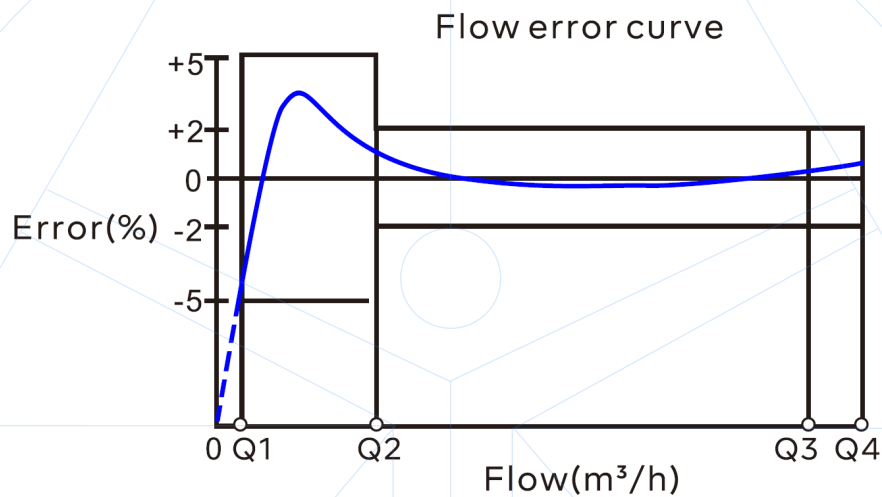
DN	R (Q3/Q1)	R (Q2/Q1)	R (Q4/Q3)	Q4	Q3	Q2 (m ³ /h)	Q1	L (mm)	W (mm)	H (mm)	Weight (Kg)
40				50	40	0.8/0.64	0.5/0.4	200	150	210	11
50				50	40	0.8/0.64	0.5/0.4	200	165	215	12
65				78.75	63	1.26/1.008	0.7875/0.63	200	185	225	12
80				125	100	2/1.6	1.25/1	225	200	280	16
100				200	160	3.2/2.56	2/1.6	250	220	290	18
125				312.5	250	5/4	3.125/2.5	250	250	300	23
150	80/100	1.6	1.25	500	400	8/6.4	5/4	300	285	320	27
200				787.5	630	12.6/10.08	7.875/6.3	350	340	345	41
250				1250	1000	20/16	12.5/10	450	405	435	70
300				2000	1600	32/25.6	20/16	500	460	480	96
350				3125	2500	50/40	31.25/25	500	520	590	152
400				3125	2500	50/40	31.25/25	600	580	660	202
500				5000	4000	80/64	50/40	800	715	760	305
600				7875	6300	126/100.8	78.75/63	800	840	880	425



PRESSURE LOSS CURVE



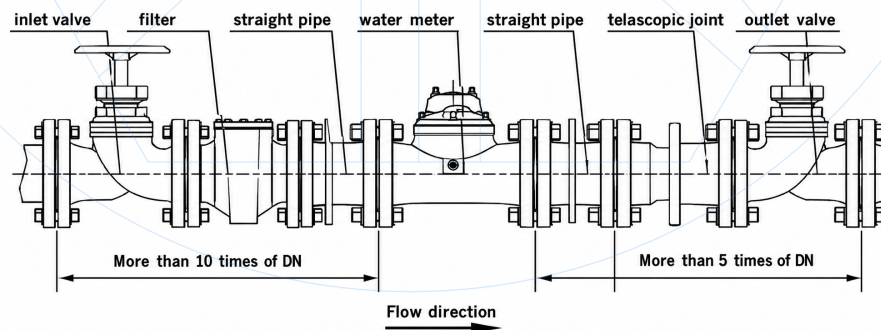
INDICATION ERROR CURVE



Maximum permissible errors:

- A. From minimum flow-rate(Q1) inclusive to transitional flow-rate(Q2) exclusive $\pm 5\%$.
- B. From transitional flow-rate(Q2) to overload flow-rate(Q4): $\pm 2\%$ (Hot water meter $\pm 3\%$)

INSTALLATION



1. Horizontal installation.
2. Straight pipeline for the upstream and downstream of the water meter required (U10/D5).
3. Avoid direct sun exposure and the erosion of harmful gases and liquids, well protected against freezing.
4. The installation environment should be tidy, easy to check meter readings.
5. Installation direction should be the same as the water flow direction.



CONTACT US

DAVINCI VALVES ORDER REQUEST

Ref. 254A-DHS / PN 10-16



Head Office CHENGDU

Room 3208 Unit 1 Building 1,
No. 6 Zhiquan Section, Dongda Street
Jinjiang District, Chengdu, Sichuan
CHINA

+86 17340168233 +86 19302892712
valves@davincivalves.com

Europe Office MADRID
SPAIN

zuzana@davincivalves.com

WEBSITE

davincivalves.com

YOUR QUALITY WATER PROJECTS PARTNER
For professionals who look for more.