



DAVINCI TECHNICAL DATA GUIDE

BALL VALVE

FLANGED TYPE WITH ISO PAD

Ref. 132A-OW / PN 10-16-25-40

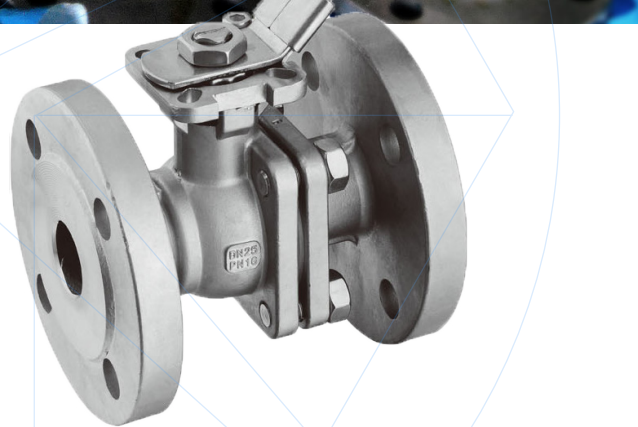


Application

Chemical and industrial plants
Heating and air conditioning (HVAC)
Agricultural applications
District heating
Oils and hydrocarbons

Approvals/Standards

Comply with EN 12516.
Mounting with flanges: PN10/16/25/40 EN 1092-2, ISO 7005-2.
Face to face distance: EN 558-1 series 14 (F4).
Mounting pad acc. to ISO 5211.
Pressure Tests acc. to EN 12266-1 Rate A.
Pressure Tests: Body: 1,5 x PN, seat: 1,1 x PN.



Range

DN15-200, PN10-16-25-40



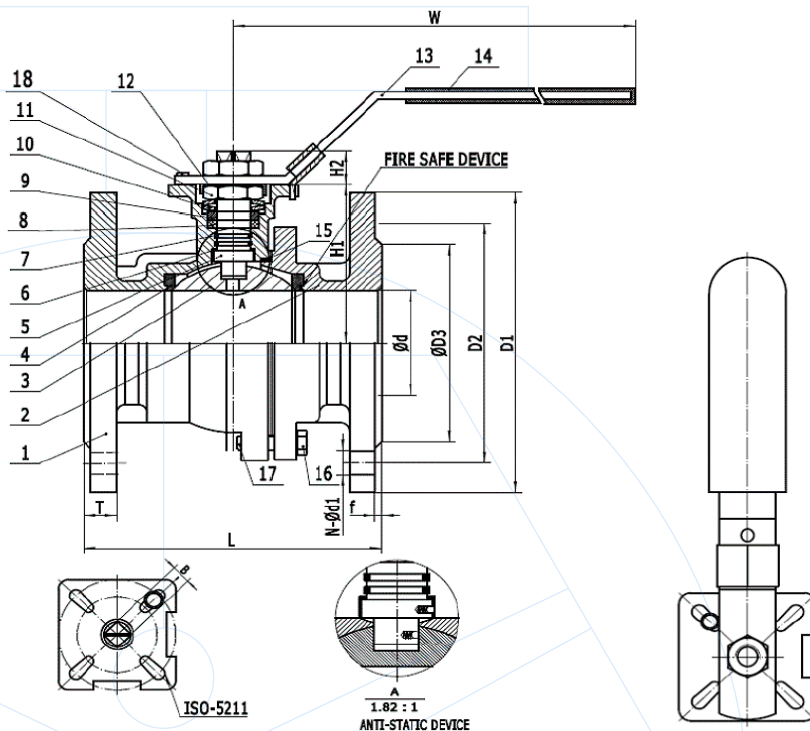
GENERAL CHARACTERISTICS

Sizes DN15 to DN150.
Working pressure PN10/16/25/40.
Fully stainless steel body.

WORKING CONDITIONS

Pressure ratings: 1.0, 1.6, 2.5 & 4.0 Mpa.
Working temperature: -20°C + 200°C

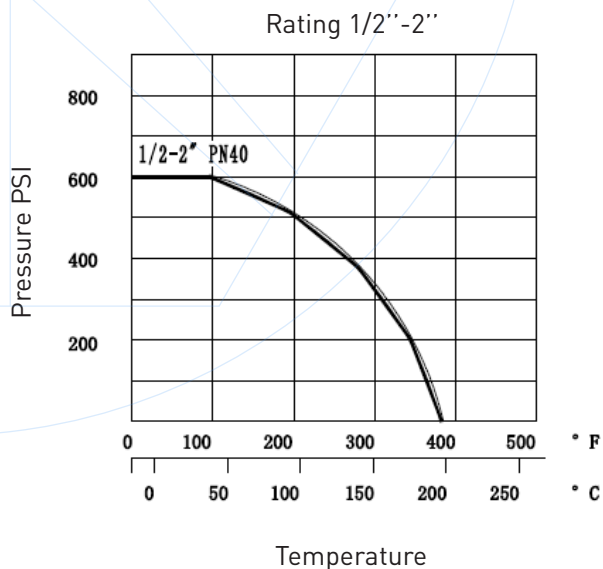
| Nº | ITEM | MATERIAL |
|----|------------------|----------------|
| 1 | Body | CF8M/CF8 |
| 2 | Cap | CF8M/CF8 |
| 3 | Ball | CF8M/CF8 |
| 4 | Ball seat | RPTFE+15 Glass |
| 5 | Stem | AISI304/316 |
| 6 | Thrust washer | RPTFE+15 Glass |
| 7 | O-Ring | FKM |
| 8 | V-ring packing | GRAPHITE |
| 9 | Packing follower | AISI304 |
| 10 | Washer | AISI301 |
| 11 | Stem nut | AISI301 |
| 12 | Stop Washer | AISI304 |
| 13 | Handle | AISI304 |
| 14 | Plastic cover | PLASTIC |
| 15 | Body Gasket | GRAPHITE |
| 16 | Nut | AISI304 |
| 17 | Bolt | AISI304 |
| 18 | Stop pin | AISI304 |



Components may be replaced with materials of equivalent or superior grade without prior notice, in accordance with our continuous improvement policy.

PRESSURE-TEMPERATURE CHART

| DN | d | b | W | L | D3 | D1 | T | F | H1 | H2 | Torque (N·m) |
|-----|----|-----|-----|-----|-----|----|---|------|----|----|--------------|
| 15 | 9 | 140 | 115 | 45 | 95 | 16 | 2 | 48,5 | 9 | 2 | 7 |
| 20 | 9 | 140 | 120 | 58 | 105 | 18 | 2 | 53,5 | 9 | 2 | 9 |
| 25 | 11 | 162 | 125 | 68 | 115 | 18 | 2 | 59,5 | 11 | 2 | 14 |
| 32 | 11 | 162 | 130 | 78 | 140 | 18 | 2 | 71 | 11 | 2 | 18 |
| 40 | 14 | 187 | 140 | 88 | 150 | 20 | 3 | 78 | 14 | 3 | 23 |
| 50 | 14 | 187 | 150 | 102 | 165 | 20 | 3 | 85 | 14 | 3 | 33 |
| 65 | 17 | 302 | 170 | 122 | 185 | 18 | 3 | 107 | 17 | 3 | 36 |
| 80 | 17 | 302 | 180 | 135 | 200 | 20 | 3 | 117 | 17 | 3 | 55 |
| 100 | 22 | 322 | 190 | 158 | 220 | 20 | 3 | 136 | 22 | 3 | 90 |
| 125 | 22 | b-b | 325 | 188 | 250 | 22 | 3 | 183 | 27 | 3 | 170 |
| 150 | 22 | b-b | 350 | 212 | 285 | 22 | 3 | 202 | 27 | 3 | 270 |
| 200 | 24 | b-b | 400 | 268 | 340 | 24 | 3 | 250 | 27 | 3 | 380 |





CONTACT US

DAVINCI GATE VALVES ORDER REQUEST

Ref. 132A-OW / PN 10-16-25-40



Head Office CHENGDU

Room 3109 Unit 1 Building 2,
No. 68 Dongda Street
Jinjiang District, Chengdu, Sichuan
CHINA

+86 17340168233 +86 19302892712
valves@davincivalves.com

Europe Office MADRID
SPAIN
zuzana@davincivalves.com

WEBSITE

davincivalves.com

YOUR QUALITY WATER PROJECTS PARTNER
For professionals who look for more.